



The **PLA-SM Inverter** range offers customers all the features and benefits of inverter technology whilst being cost effective.

Key Features

- Inverter cassette range only
- Single combination only
- Up to 40m pipe run
- Cost effective with the benefits and features of inverter technology
- Filter lowering operation down to 4m (optional PLP-6EAJ grille required)



Air Conditioning

Product Information

PLA-SM R410A 4-Way Blow Ceiling Cassette System Inverter Heat Pump

Making a
World of
Difference



PLA-SM INDOOR UNITS		PLA-SM71EA	PLA-SM100EA	PLA-SM100EA	PLA-SM125EA	PLA-SM125EA	PLA-SM140EA	PLA-SM140EA
CAPACITY (kW)	Heating (nominal)	8.0 (3.5-8.9)	11.2 (5.1-11.5)	11.2 (2.8-12.5)	13.5 (4.8-15.0)	13.5 (4.8-15.0)	15.0 (4.9-15.8)	15.0 (4.9-15.8)
	Cooling (nominal)	7.1 (3.2-8.1)	9.4 (5.0-9.9)	9.4 (3.7-10.6)	12.1 (5.6-13.0)	12.1 (5.6-13.0)	13.6 (5.8-14.1)	13.6 (5.8-14.1)
	Heating (UK)	6.80 (2.98-7.57)	9.60 (4.37-9.86)	9.63 (2.41-10.75)	11.61 (4.13-12.90)	11.61 (4.13-12.90)	12.90 (4.21-13.59)	12.90 (4.21-13.59)
	Cooling (UK)	6.53 (2.94-7.45)	8.50 (4.52-8.95)	8.55 (3.37-9.65)	11.01 (5.10-11.83)	11.01 (5.10-11.83)	12.38 (5.28-12.83)	12.38 (5.28-12.83)
SHF (nominal)		0.73	0.73	0.77	0.73	0.73	0.70	0.70
COP / EER (nominal)		3.21 / 3.20	3.48 / 3.01	3.21 / 2.85	3.41 / 2.85	3.41 / 2.85	3.11 / 2.41	3.11 / 2.41
SCOP / SEER (BS EN14825)		3.90 / 5.90	4.10 / 5.70	4.10 / 5.70	3.75 (150.1%) / 5.27 (210.6%)	3.75 (150.1%) / 5.27 (210.6%)	3.76 (150.2%) / 5.25 (210.1%)	3.76 (150.2%) / 5.25 (210.1%)
ErP ENERGY EFFICIENCY CLASS Heating/Cooling		A / A+	A+ / A+	A+ / A+	-	-	-	-
AIRFLOW (l/s)	Lo-M1-M2-Hi	233-283-317-350	317-383-433-483	317-383-433-483	350-417-467-517	350-417-467-517	400-433-483-533	400-433-483-533
PIPE SIZE mm (in)	Gas/Liquid	15.88 (5/8") / 9.52 (3/8")	15.88 (5/8") / 9.52 (3/8")	15.88 (5/8") / 9.52 (3/8")	15.88 (5/8") / 9.52 (3/8")	15.88 (5/8") / 9.52 (3/8")	15.88 (5/8") / 9.52 (3/8")	15.88 (5/8") / 9.52 (3/8")
SOUND PRESSURE LEVEL (dBA)	Lo-M1-M2-Hi	28-30-32-34	31-34-37-40	31-34-37-40	33-37-41-44	33-37-41-44	36-39-42-44	36-39-42-44
SOUND POWER LEVEL (dBA)		56	61	61	65	65	65	65
DIMENSIONS (mm)	Width x Depth x Height (Grille)	840 (850) x 840 (850) x 258 (40)	840 (850) x 840 (850) x 298 (40)	840 (850) x 840 (850) x 298 (40)	840 (850) x 840 (850) x 298 (40)	840 (850) x 840 (850) x 298 (40)	840 (850) x 840 (850) x 298 (40)	840 (850) x 840 (850) x 298 (40)
WEIGHT (kg)	Unit / Panel	21 (5)	24 (5)	24 (5)	26 (5)	26 (5)	26 (5)	26 (5)
ELECTRICAL SUPPLY		Fed by Outdoor Unit	Fed by Outdoor Unit	Fed by Outdoor Unit	Fed by Outdoor Unit	Fed by Outdoor Unit	Fed by Outdoor Unit	Fed by Outdoor Unit
FUSE RATING (BS88) - HRC (A)		6	6	6	6	6	6	6
INTERCONNECTING CABLE No. Cores		4	4	4	4	4	4	4
GRILLE REFERENCE		PLP-6EA	PLP-6EA	PLP-6EA	PLP-6EA	PLP-6EA	PLP-6EA	PLP-6EA
WIRED REMOTE CONTROLLER REFERENCE		PAR-33MAA	PAR-33MAA	PAR-33MAA	PAR-33MAA	PAR-33MAA	PAR-33MAA	PAR-33MAA
WIRELESS REMOTE CONTROLLER REFERENCE		PAR-SL100A-E	PAR-SL100A-E	PAR-SL100A-E	PAR-SL100A-E	PAR-SL100A-E	PAR-SL100A-E	PAR-SL100A-E

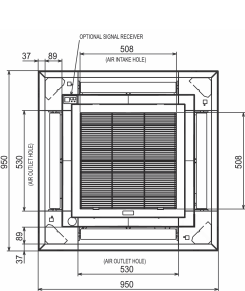
SUZ-SA / PUHZ-SP OUTDOOR UNITS		SUZ-SA71VA3	SUZ-SA100VA2	PUHZ-SP100YKA	PUHZ-SP125VKA	PUHZ-SP125YKA	PUHZ-SP140VKA	PUHZ-SP140YKA
SOUND PRESSURE LEVEL (dBA)	Heating/Cooling	55 / 55	55 / 55	54 / 51	56 / 54	56 / 54	57 / 58	57 / 58
	Cooling	69	69	70	72	72	75	75
SOUND POWER LEVEL (dBA)		52	56	78	84	85	84	85
WEIGHT (kg)		52	56	78	84	85	84	85
DIMENSIONS (mm)	Width x Depth x Height	840 x 330 x 880	840 x 330 x 880	1050 x 330 x 981	1050 x 330 x 981	1050 x 330 x 981	1050 x 330 x 981	1050 x 330 x 981
ELECTRICAL SUPPLY		220-240v, 50Hz	220-240v, 50Hz	380-415v, 50Hz	220-240v, 50Hz	380-415v, 50Hz	220-240v, 50Hz	380-415v, 50Hz
PHASE		Single	Single	Three	Single	Three	Single	Three
SYSTEM POWER INPUT (kW)	Heating/Cooling (nominal)	2.49 / 2.22	3.48 / 3.12	3.48 / 3.29	3.95 / 4.23	3.95 / 4.23	4.81 / 5.63	4.81 / 5.63
	Heating/Cooling (UK)	2.12 / 1.91	2.96 / 2.68	3.13 / 2.73	3.56 / 3.51	3.56 / 3.51	4.33 / 4.67	4.33 / 4.67
STARTING CURRENT (A)		9.9	12.0	2.9	11.1	4.0	11.1	4.0
SYSTEM RUNNING CURRENT (A)	Heating/Cooling [MAX]	9.3 / 9.9 [16.1]	9.9 / 10.5 [16.1]	5.3 / 5.3 [11.5]	18.3 / 17.9 [26.5]	6.8 / 6.4 [11.5]	23.95 / 20.9 [30]	8.9 / 7.9 [11.5]
FUSE RATING (BS88) - HRC (A)		20	20	16	32	16	40	16
MAINS CABLE No. Cores		3	3	5	3	5	3	5
MAX PIPE LENGTH (m)		30	30	30	40	40	40	40
MAX HEIGHT DIFFERENCE (m)		30	30	30	30	30	30	30
CHARGE REFRIGERANT (kg) / CO ₂ EQUIVALENT (t)	R410A (GWP 2088)	1.8 / 3.76 (7m)	1.8 / 3.76 (7m)	3.3 / 6.89 (30m)	3.8 / 7.93 (30m)	3.8 / 7.93 (30m)	3.8 / 7.93 (30m)	3.8 / 7.93 (30m)
MAX ADDITIONAL REFRIGERANT (kg) / CO ₂ EQUIVALENT (t)	R410A (GWP 2088)	1.265 / 2.64	1.265 / 2.64	1.2 / 2.51	1.2 / 2.51	1.2 / 2.51	1.2 / 2.51	1.2 / 2.51

Note: The PLP-6EAE 3D i-See sensor grille or PAC-SE1ME-E corner panel will NOT operate with this model.

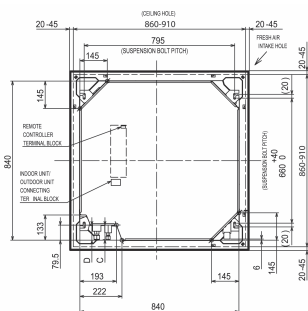
PRODUCT DIMENSIONS

PLA-SM71/100/125/140EA

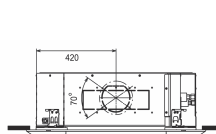
Lower View



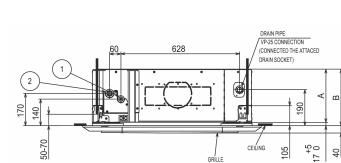
Upper View



Front View



Side View



PLA-SM71/100/125/140

SM	①	②	A	B	C	D
71	FLARED CONNECTION 3/8" REFRIGERANT PIPE Ø 9.52	REFRIGERANT PIPE Ø 15.88 FLARED CONNECTION 5/8"	241	258	79.5	79.5
100-140			281	298		



Telephone: 01707 282880
email: air.conditioning@meuk.mee.com
web: airconditioning.mitsubishielectric.co.uk

UNITED KINGDOM Mitsubishi Electric Europe Living Environment Systems Division
Travellers Lane, Hatfield, Hertfordshire, AL10 8XB, England General Enquiries Telephone: 01707 282880 Fax: 01707 278881

IRELAND Mitsubishi Electric Europe Westgate Business Park, Ballymount, Dublin 24, Ireland
Telephone: Dublin (01) 419 8800 Fax: Dublin (01) 419 8890 International code: (003531)

Country of origin: United Kingdom – Japan – Thailand – Malaysia. ©Mitsubishi Electric Europe 2018. Mitsubishi and Mitsubishi Electric are trademarks of Mitsubishi Electric Europe B.V. The company reserves the right to make any variation in technical specification to the equipment described, or to withdraw or replace products without prior notification or public announcement. Mitsubishi Electric is constantly developing and improving its products. All descriptions, illustrations, drawings and specifications in this publication present only general particulars and shall not form part of any contract. All goods are supplied subject to the Company's General Conditions of Sale, a copy of which is available on request. Third-party product and brand names may be trademarks or registered trademarks of their respective owners.

Note: The fuse rating is for guidance only. Please refer to the relevant databook for detailed specification. It is the responsibility of a qualified electrician/electrical engineer to select the correct cable size and fuse rating based on current regulation and site specific conditions. Mitsubishi Electric's air conditioning equipment and heat pump systems contain a fluorinated greenhouse gas, R410A (GWP:2088), R32 (GWP:675), R407C (GWP:1774) or R134a (GWP:1430). *These GWP values are based on Regulation (EU) No 517/2014 from IPCC 4th edition. In case of Regulation (EU) No.626/2011 from IPCC 3rd edition, these are as follows: R410A (GWP:1975), R32 (GWP: 550), R407C (GWP:1650) or R134a (GWP:1300).



www.greengateway.mitsubishielectric.co.uk

Mitsubishi Electric UK's commitment to the environment

Follow us @meuk_Jes
Follow us @green_gateway

Mitsubishi Electric
Living Environmental Systems UK

YouTube
mitsubishielectric2

BLOG
thehub.mitsubishielectric.co.uk

Effective as of April 2018